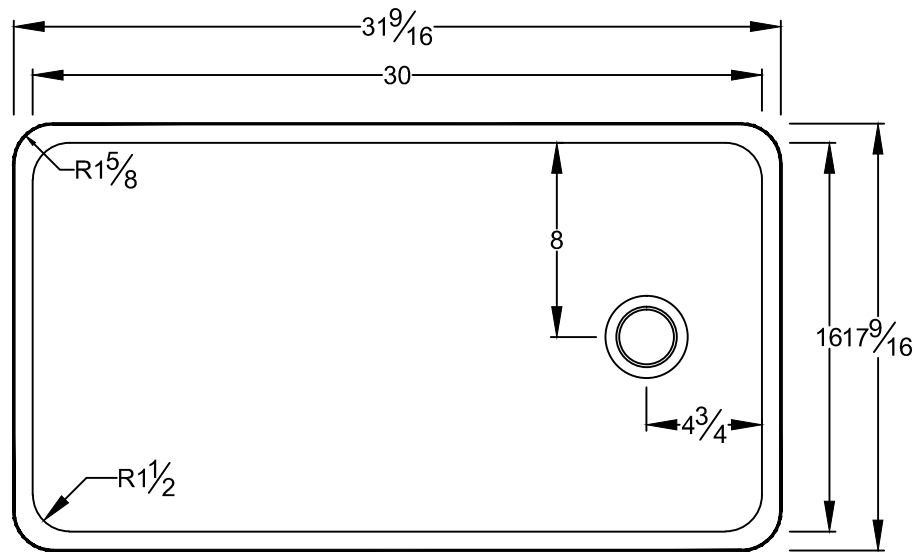


SECTION VIEW



TOP VIEW

SINK MOLDED FROM EPOXY RESIN

SINK COLOR:

BLACK -  OTHER: \_\_\_\_\_

THIS SINK SHIPS FROM  
TAYLOR, TX 76574

***PII PRIME industries inc.***

4611 Main St.  
Lisle, IL 60532  
ph: 630/725-9200 - fax: 630/725-9201  
www.piiilab.com

REV. DATE  
12/10/14

WEIGHT  
85 lbs.

SINK MODEL  
PL68