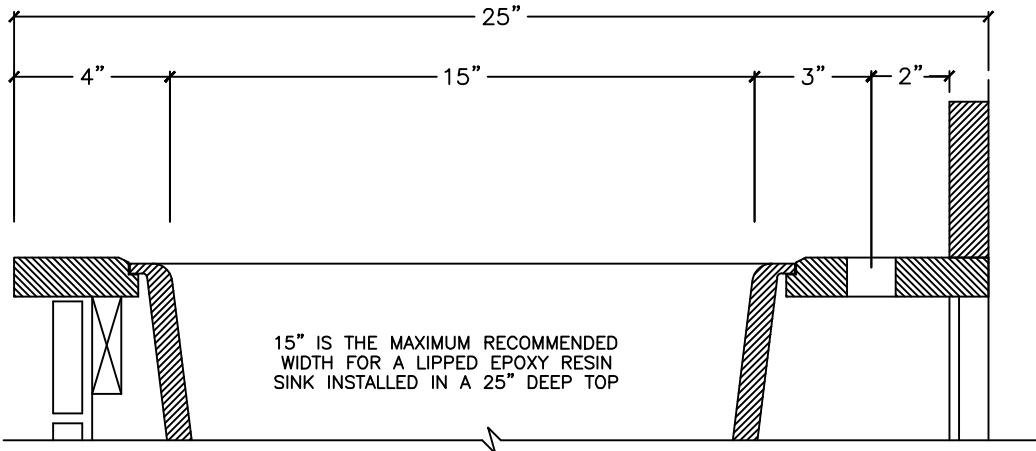
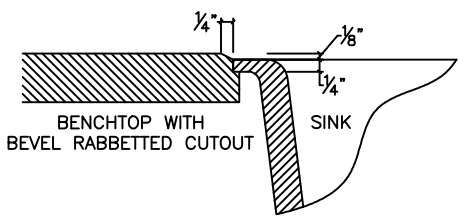


20" IS THE MAXIMUM RECOMMENDED WIDTH FOR A LIPPED EPOXY RESIN SINK INSTALLED IN A 30" DEEP TOP



15" IS THE MAXIMUM RECOMMENDED WIDTH FOR A LIPPED EPOXY RESIN SINK INSTALLED IN A 25" DEEP TOP



BENCHTOP WITH BEVEL RABBETTED CUTOUT
SINK

INSTALLATION DETAIL

PII PRIME industries, inc.		
www.piiab.com		
LIPPED SINK DETAILS		
DATE: 11.05.13	REVISED: 09.29.14	DRAWING NUMBER: SINK DETAILS