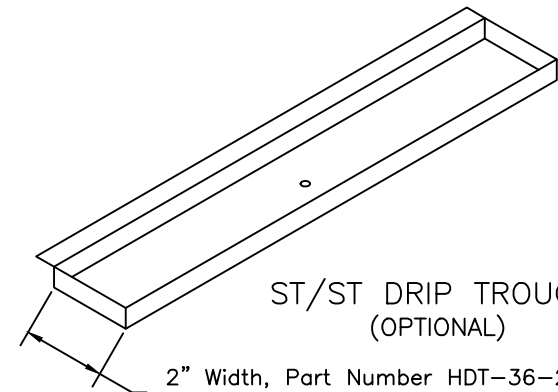


PEG DETAIL
BLACK POLYPROPOLYENE
SCALE- 3X



ST/ST DRIP TROUGH
(OPTIONAL)

2" Width, Part Number HDT-36-2
4" Width, Part Number HDT-36-4

36"W x 36"H x 1" THICK
EPOXY RESIN PEGBOARD
W/ 68 PEGS
(ALSO AVAILABLE IN PHENOLIC RESIN)

PII PRIME industries, inc.

www.piiab.com

PGBD3636 36" x 36" PEGBOARD

DATE: 10.18.13	REVISED: 10.18.13	DRAWING NUMBER: PGBD3636
----------------	-------------------	--------------------------