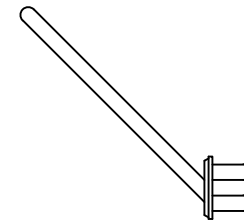
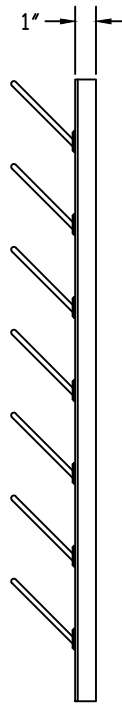
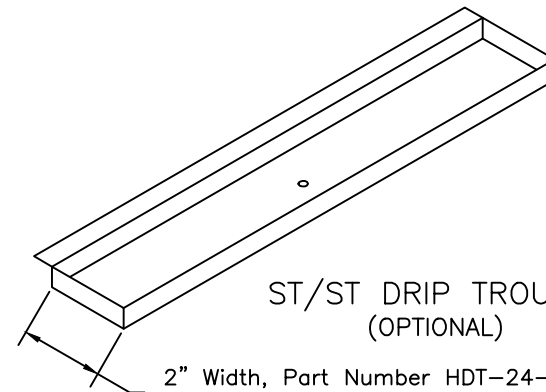


24"W x 30"H x 1" THICK
 EPOXY RESIN PEGBOARD
 W/ 39 PEGS
 (ALSO AVAILABLE IN PHENOLIC RESIN)



PEG DETAIL
 BLACK POLYPROPOLYENE
 SCALE- 3X



ST/ST DRIP TROUGH
 (OPTIONAL)
 2" Width, Part Number HDT-24-2
 4" Width, Part Number HDT-24-4

<i>Pii</i> PRIME industries, inc. www.piiab.com		
PGBD2430 24" x 30" PEGBOARD		
DATE: 8.31.97	REVISED: 4.3.13	<small>DRAWING NUMBER:</small> PGBD2430