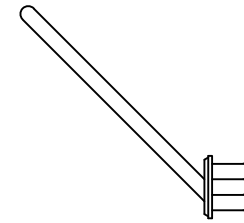
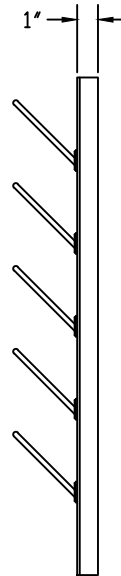
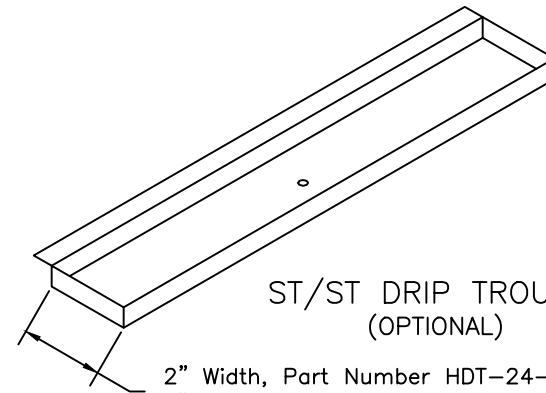


24"W x 24"H x 1" THICK  
 EPOXY RESIN PEGBOARD  
 W/ 28 PEGS  
 (ALSO AVAILABLE IN PHENOLIC RESIN)



PEG DETAIL  
 BLACK POLYPROPOLYENE  
 SCALE- 3X



ST/ST DRIP TROUGH  
 (OPTIONAL)  
 2" Width, Part Number HDT-24-2  
 4" Width, Part Number HDT-24-4

**Pii** PRIME industries, inc.

www.piiab.com

PGBD2424 24" x 24" PEGBOARD

DATE: 8.31.97

REVISED: 4.3.13

DRAWING NUMBER:  
 PGBD2424