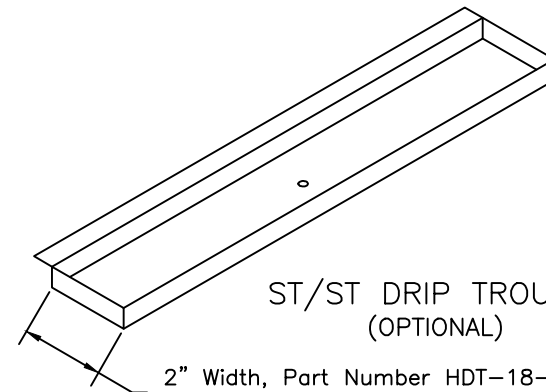


PEG DETAIL
BLACK POLYPROPOLYENE
SCALE- 3X



ST/ST DRIP TROUGH
(OPTIONAL)

2" Width, Part Number HDT-18-2
4" Width, Part Number HDT-18-4

18"W x 30"H x 1" THICK
EPOXY RESIN PEGBOARD
W/ 25 PEGS
(ALSO AVAILABLE IN PHENOLIC RESIN)

Pii PRIME industries, inc.

www.piiab.com

PGBD1830 18" x 30" PEGBOARD

DATE: 8.31.97	REVISED: 11.02.11	DRAWING NUMBER: PGBD1830
---------------	-------------------	--------------------------