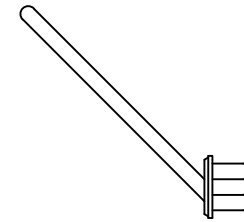
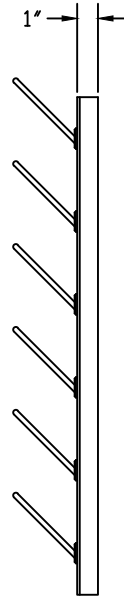
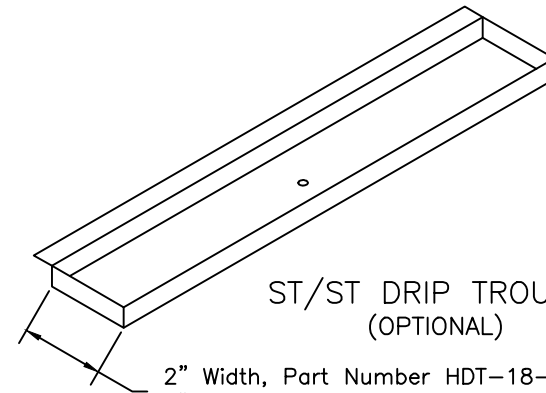


18"W x 24"H x 1" THICK  
 EPOXY RESIN PEGBOARD  
 W/ 21 PEGS  
 (ALSO AVAILABLE IN PHENOLIC RESIN)



PEG DETAIL  
 BLACK POLYPROPOLYENE  
 SCALE- 3X



ST/ST DRIP TROUGH  
 (OPTIONAL)

2" Width, Part Number HDT-18-2  
 4" Width, Part Number HDT-18-4

**Pii** PRIME industries, inc.

[www.piiab.com](http://www.piiab.com)

PGBD1824 18" x 24" PEGBOARD

DATE: 9.18.13

REVISED: 9.18.13

DRAWING NUMBER:  
 PGBD1824