

○ **ES658** Emergency Shower, Semi-Concealed



APPLICATION: Emergency shower for semi-concealed mounting in a finished ceiling. Unit is designed for installation in ceilings 8-10 feet above finished floor.

SHOWER HEAD: Shower head is 10" diameter stainless steel. Furnished with vertical supply pipe and ceiling escutcheon for mounting shower head at desired height above finished floor.

VALVE: 1" IPS brass stay-open ball valve. Valve is US-made with chrome plated brass ball and TFE seals. Furnished with stainless steel actuating arm, 63 1/2" stainless steel pull rod and stainless steel ceiling guide plate.

PIPE AND FITTINGS: Exposed pipe and ceiling escutcheon are brushed stainless steel.

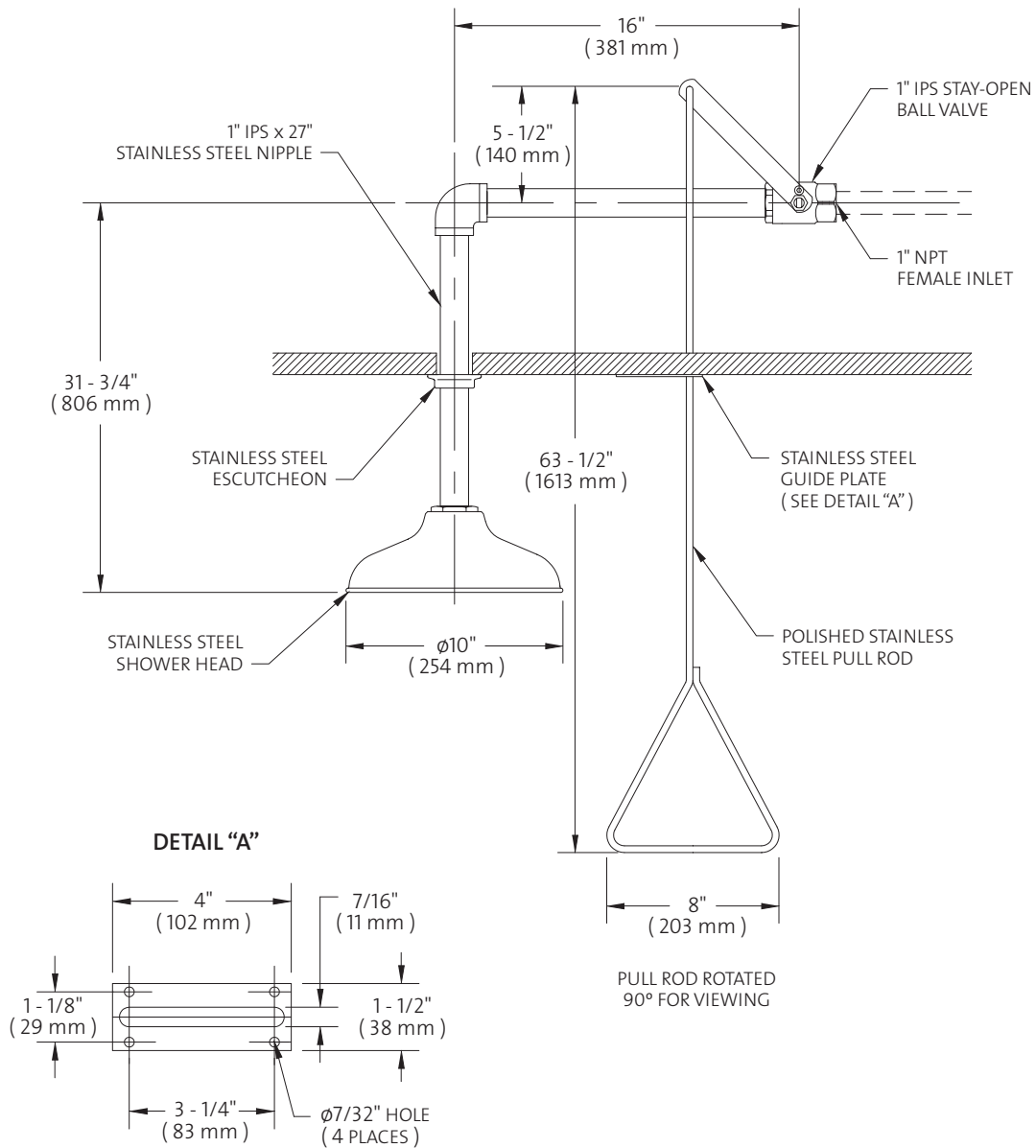
SUPPLY: 1" NPT female inlet.

SIGN: ANSI-compliant identification sign.

Available Options

- **FC20** Flow control to regulate shower flow rate to 20 GPM
- **SC** Self-closing ball valve. *Note: Emergency showers with self-closing valves do not comply with ANSI Z358.1 - 2009.*
- **AP280-235 ELECTRIC LIGHT AND ALARM HORN**
Flashing light/alarm horn unit is recess mounted in finished wall. Light is illuminated and horn sounds when shower is activated. Furnished complete with flow switch, mounting hardware and additional leads for remote monitoring.
- **TW** AP3800 thermostatic mixing valve precisely blends hot and cold water to deliver tepid water as required by ANSI Z358.1-2009. Refer to "Tempering Units" section for complete technical and product selection information.

○ **ES658** Emergency Shower, Semi-Concealed



THIS SPACE FOR ARCHITECT/ENGINEER APPROVAL

Due to continuing product improvement, the information contained in this document is subject to change without notice. All dimensions are ± 1/4" (6mm).

ETL Listed 101496.
 Units have been tested
 to and comply with
 ANSI Z358.1 - 2009



Sign Included

